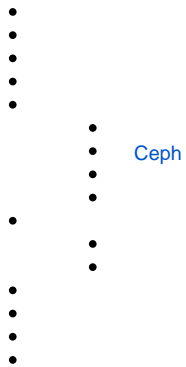



( )




 :

- Astra Linux Special Edition .10015-01 ( 1.6) [20190912SE16 \( 3\)](#)
- Astra Linux Special Edition .10015-16 . 1 [20201007SE16](#)

[Astra Linux Special Edition.](#)

"" :

- - OCFS2 LVM;
- Ceph;
- ALD FreeIPA;
- , , .

 , , , , . "" .

- - Linux;
- :
  - Astra Linux Special Edition .10015-01 ( 1.6) . "" Astra Linux Special Edition : [Astra Linux Special Edition.](#)

, . , , .

, , , , .

, , , , .

:

1		FTP .	
2		, .	DC-N
3	Front-end	, . - .	FRONT-N
4		, .	NODE-N
5		.	vm
6		- ( ), .	SAN
7	Ceph	Ceph.	CEPH-N
8		- .	

. :<-N>. N, ., 1-, IP- <node-1-ip>, <node-2-ip> .., <node-N-ip>.

, :

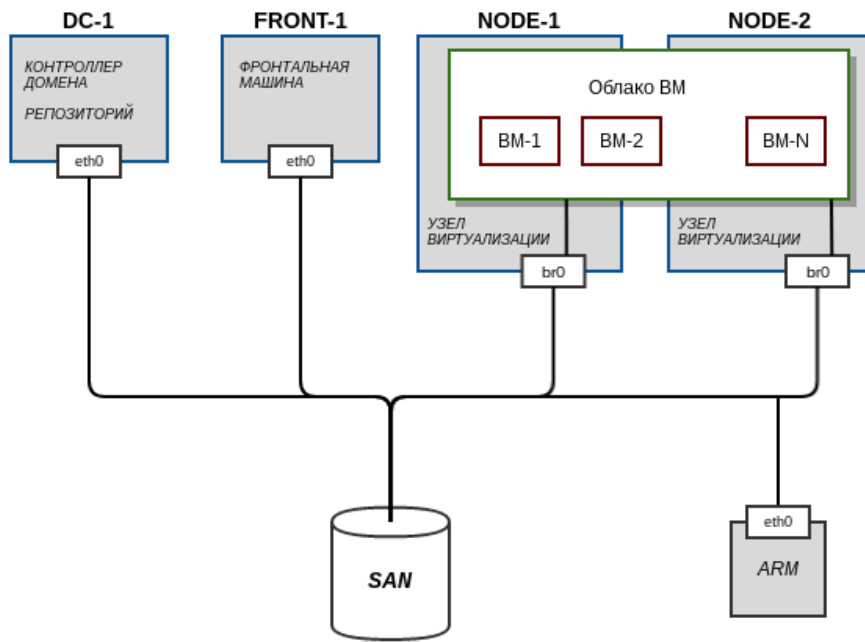
<local-admin>	- ,
<domain-admin>	
<network>	, 192.168.1.0
<netmask>	, 255.255.255.0.
<domain>	, brest.local.
<hostname>	, .
<server-N-ip>	IP- N- - - front-end, .
<server-N-hostname>	(hostname) N- - - front-end, .
<dc-N-ip>	IP- N- .
<dc-N-hostname>	(hostname) N- .
<ftp-ip>	IP- FTP-.
<ftp-hostname>	(hostname) FTP-.
<front-N-ip>	IP- N- front-end.
<front-N-hostname>	(hostname) N- front-end.
<floating-ip>	IP-. front-end.
<floating-name>	. front-end.
<node-N-ip>	IP- N- .
<node-N-hostname>	(hostname) N- .
<san-ip>	IP- .
<ceph-N-hostname>	(hostname) N- Ceph.
<OS-ISO>	ISO-
<OS-upd-ISO>	ISO-
<OS-dev-ISO>	ISO-
<OS-dev-upd-ISO>	ISO-
<brest-ISO>	ISO-

"" ., ., , ., front-end, , , .

"" ., front-end .

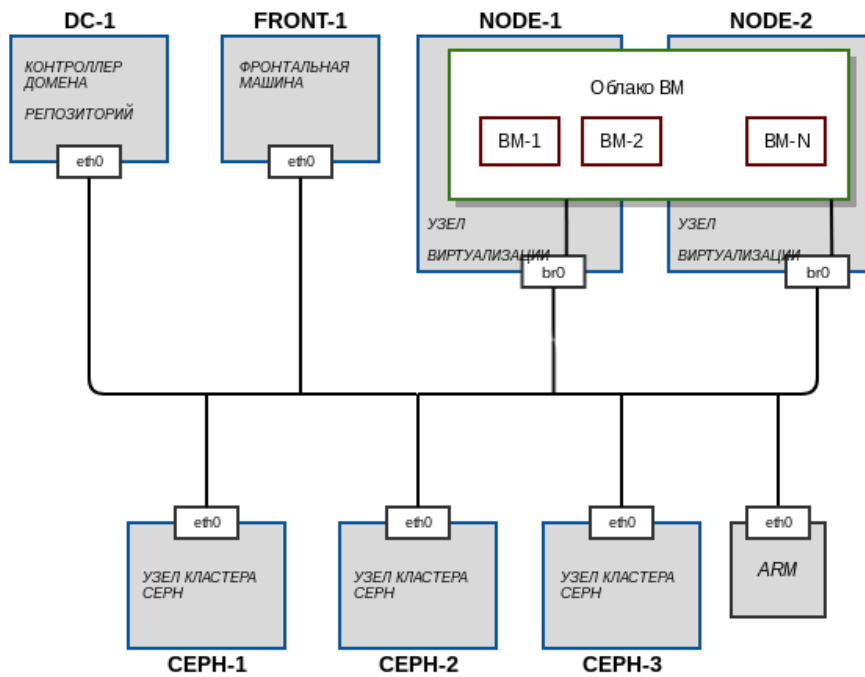
:

.



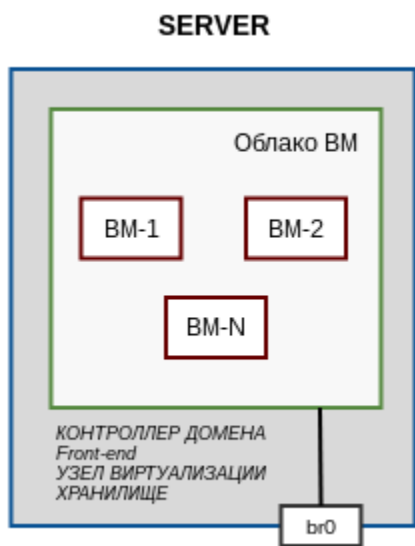
Ceph.

Ceph



Ceph

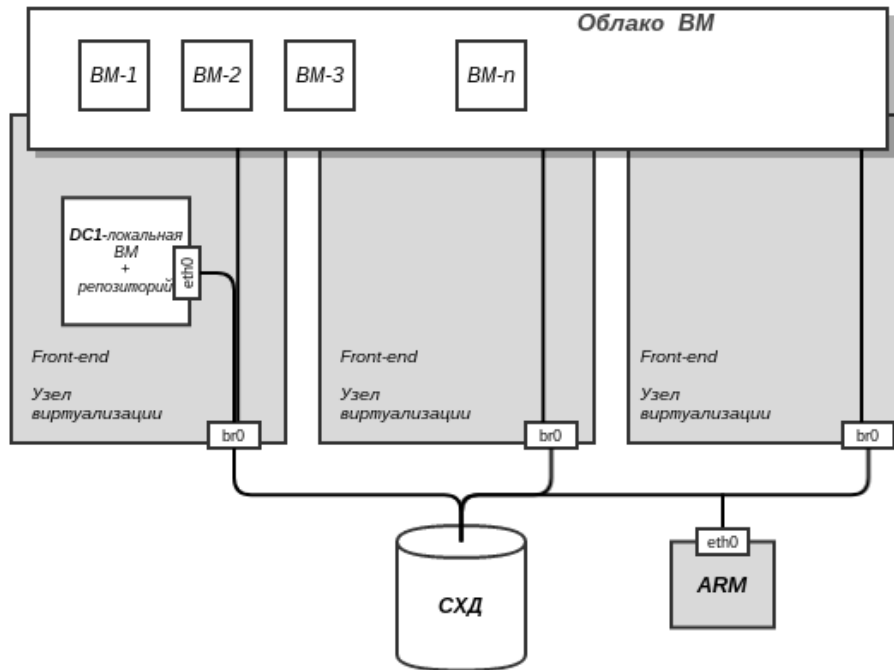
1.



, front-end,

! ALD

front-end ( RAFT).



**i** "" 2.6 - .

"" , . , , , , . ( ) .

:

1		1	512	20
2		3	2	20
3	front-end	2	2	20
4		4 Intel VT-x AMD-V	4	20
5	( )	2	1	20 - 2 100
6	ceph	2	1	20 - 200

IPMI.

, . . (nested) KVM.

IP-. 2 .

., . . . , ip- .  
 ., ceph myhost2 ., , <ceph-2-hostname> , myhost2.

( .):

						IP-	
1		<dc-1-hostname> <ftp-hostname>	dc1	dc1.brest.local	192.168.1.1		
					192.168.1.2	dc2	
					192.168.1.3	dc3	
2	front-end	<front-1-hostname>	front1	front1.brest.local	192.168.1.5		
					192.168.1.6	front-end front2	
					192.168.1.7	front-end front3	
					192.168.1.8	"" RAFT	
3		<node-1-hostname>	node1	node1.brest.local	192.168.1.11		
4		<node-2-hostname>	node2	node2.brest.local	192.168.1.12		
					192.168.1.13 -		
					192.168.1.19		
5		-	san	-	192.168.1.20		

, 4 (+1, ).

Astra Linux Special Edition 1.6 . . . .

1. [FTP-](#).
2. .
3. [Front-end](#).
4. .
5. .
6. front-end - [RAFT](#).

, , "" .

, , , , "" .  
 , - . [opennebula](#) "" .  
 ""

"" , , .